

Elektrotechnik Karl-Heinz Mauz GmbH

LSF-13M/S (Artikel-Nr. 107025)

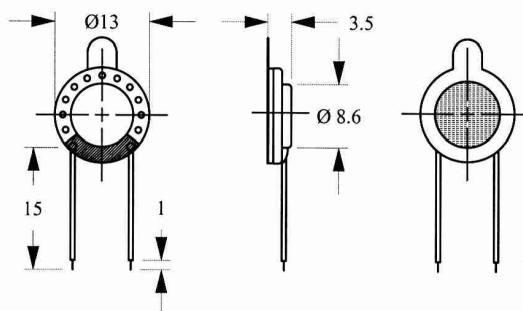
EKULIT

SPECIFICATIONS:

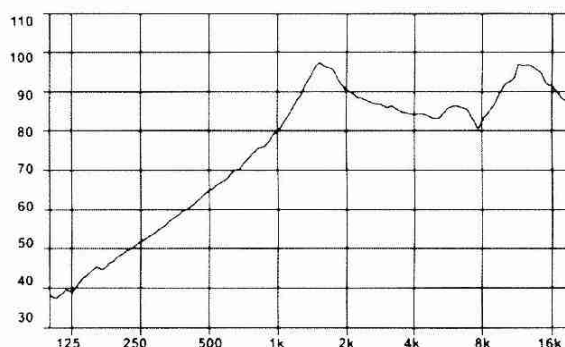
TYPE	UNIT	Speaker
Impedance	Ω	8±15%
Power (Nominal)	W	0.5W
Power (Maximum)	W	0.75W
Resonant Frequency	Hz	900±20%
Sensitivity	dB	98±3
Frequency Range	Hz	fo~5k
Operating Temperature	°C	-20~+65
Storage Temperature	°C	-30~+70
Weight	g	1.3

DIMENSIONS :

(Unit: mm)



Frequency response:



Adresse: Felix-Wankel-Str. 35 • 73760 Ostfildern/Nellingen

Tel: +49-711/3414023

Fax: +49-711/3414024

E-mail: kmmauz@t-online.de

Web site: www.EKULIT.de