

**Motor GM15BY-VSM1527-298-20D3**

Art.-Nr.: 860514

**Specification :**

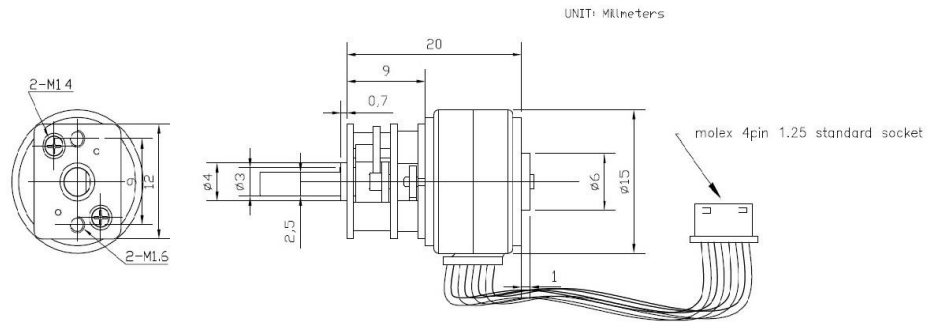
Item	Unit	Specification
Rated voltage	VDC	12.0
Gear Ratio		1/298
Rotation		CW&CCW
Motor Position		All position in horizontal
Temperature	°C	0~30
Humidity	%	30~95
<b>• Performance of Motor</b>		
Coil resistance	Ω	30±10%
No. of Phases		2
Step Angle	°	18/Step
Max. Starting Frequency	PPS min.	900
Max. Slewing Frequency		
Pull IN Torque	gf-cm min	6
Lead OUT Torque	gf-cm min	10
<b>• Performance of Gear motor</b>		
Step Angle	°	18/298 / Step
Max. Starting Frequency	PPS min.	900
Max. Slewing Frequency	PPS min.	1200
Pull IN Torque	Kgf-cm min	1.7
Lead OUT Torque		
<b>• The Dimension</b>		
The Outside Shaft Length	mm	10
Shaft End Play	mm	0.05-0.30
Screw Size		M1.6*0.35

**Motor GM15BY-VSM1527-298-20D3**

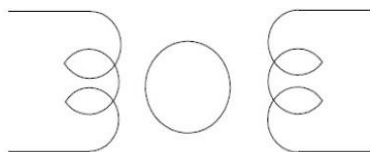
Art.-Nr.: 860514

**Dimensions :**

(Unit : mm)



CONNECTION DIAGRAM



SEQUENCE OF EXCITATION

STEP \ PHASE	1	2	3	4
A	+	+	-	-
$\bar{A}$	-	-	+	+
B	-	+	+	-
$\bar{B}$	+	-	-	+

OUTPUT SHAFT ROTATION CCW

