

**Motor GM10-M10VA-06205-250-10D** Art.-Nr.: 860500

**Specification :**

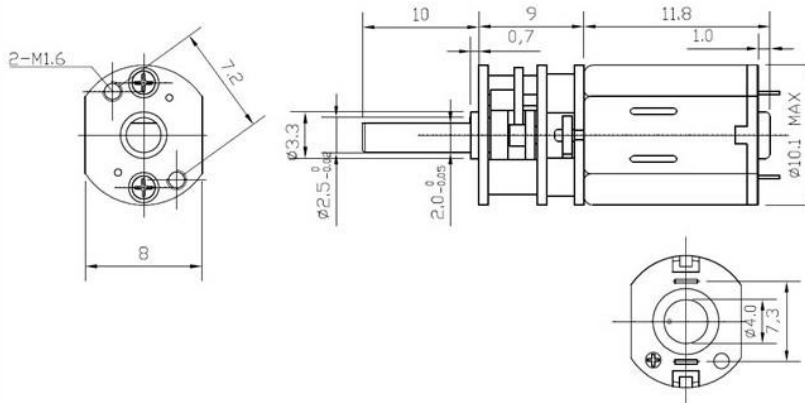
| Item                               | Unit | Specification              |
|------------------------------------|------|----------------------------|
| Rated voltage                      | VDC  | 4.5                        |
| Gear Ratio                         |      | 1/250                      |
| Rotation                           |      | CW&CCW                     |
| Motor Position                     |      | All position in horizontal |
| Temperature                        | °C   | 0~30                       |
| Humidity                           | %    | 30~95                      |
| <b>• Performance of Motor</b>      |      |                            |
| No-load Speed                      | rpm  | 23.000±10%                 |
| No-load Current                    | mA   | 55 (max.)                  |
| Stall Current                      | mA   | 350 (max.)                 |
| Stall Torque                       | g.cm | 4.5                        |
| <b>• Performance of Gear motor</b> |      |                            |
| Output Speed                       | rpm  | 90±10%                     |
| No-load Current                    | mA   | 65 (max.)                  |
| Stall Current                      | mA   | 350 (max.)                 |
| Stall Torque                       | g.cm | Instant allows torque 900  |
| Rated Torque                       | g.cm | 450                        |
| Rated Current                      | mA   | 180 (max.)                 |
| Noise                              | dB   | 45                         |
| <b>• The Dimension</b>             |      |                            |
| The Outside Shaft Length           | mm   | 10                         |
| Shaft End Play                     | mm   | 0.05-0.30                  |
| Screw Size                         |      | M1.6*0.35                  |
| Dia of Shaft                       | mm   | Ø3*2.5                     |

**Motor GM10-M10VA-06205-250-10D**

Art.-Nr.: 860500

**Dimensions :**

(Unit : mm)



**Curve Drawings :**

