

Piezosignalgeber (ohne Ansteuerung) RMP-24W Art.-Nr.: 180090

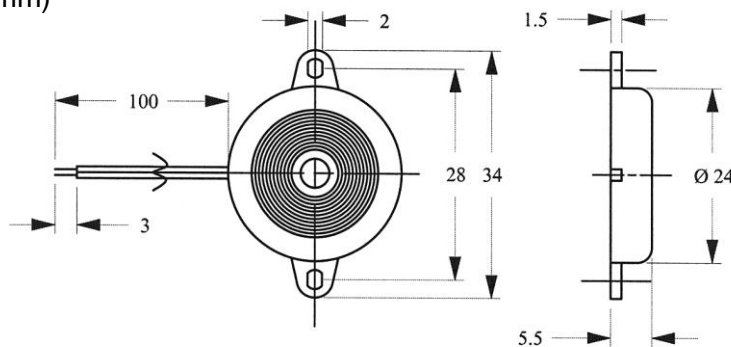
Specification :

TYPE	UNIT	RMP-24W
• Min. Sound Output at 10cm	dB	85
Rated Voltage	V _{p-p}	12
Operating Voltage	V _{p-p}	1~30
Resonant Frequency	Hz	4.000±500
• Max. Current Consumption	mA	2
Capacitance at 1kHz	pF	24.000±30%
Operating Temperature	°C	-20~+60
Storage Temperature	°C	-30~+70

- Value applying at rated voltage

Dimensions :

(Unit : mm)



Frequency response :

