

Elektromagnetischer Signalgeber AL-61SP12

Mit Ansteuerung Art.-Nr.: 170071

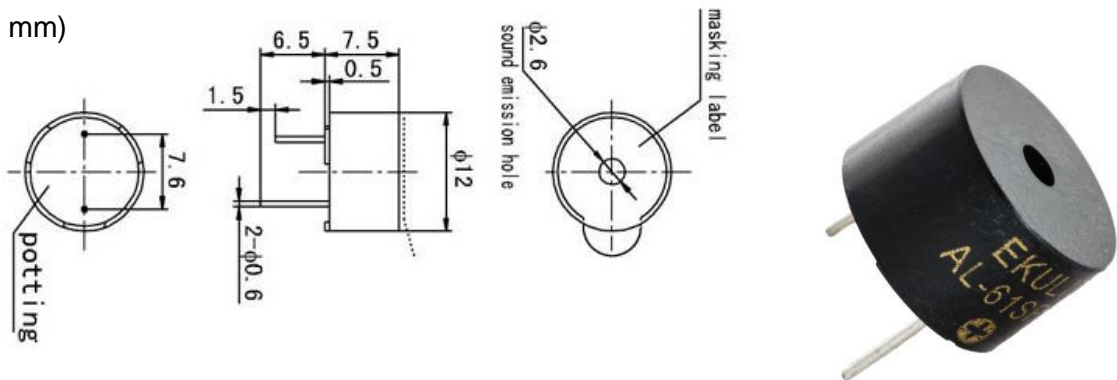
Specification :

TYPE	UNIT	AL-61SP12
• Min. Sound Output at 10cm	dB	85
Rated Voltage	V _{DC}	12
Operating Voltage	V _{DC}	8~15
Resonant Frequency	Hz	2.300±400
• Max. Current Consumption	mA	30
Operating Temperature	°C	-20~+70
Storage Temperature	°C	-30~+80
Weight	g	2

• Value applying at rated voltage

Dimensions :

(Unit : mm)



Frequency response :

