

Miniatursummer AL-28SW01-PT Art.-Nr.: 165045

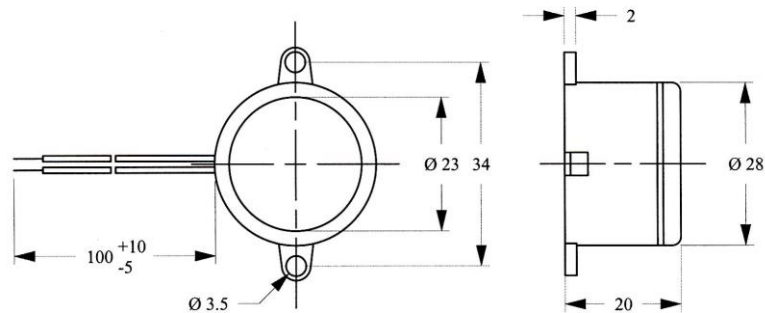
Specification :

TYPE	UNIT	AL-28SW01-PT
• Min. Sound Output at 30cm	dB	80
Rated Voltage	V _{DC}	1.5
Operating Voltage	V _{DC}	1~3
Resonant Frequency	Hz	2900±300
• Max. Current Consumption	mA	5
Pulse Rate at Rated Voltage	Pulse/Sec	2-7
Operating Temperature	°C	-20~+60
Storage Temperature	°C	-30~+70
Weight	g	10

• Value applying at rated voltage

Dimensions :

(Unit : mm)



Frequency Response :

