

Miniatursummer AL-28SW09-DT Art.-Nr.: 165027

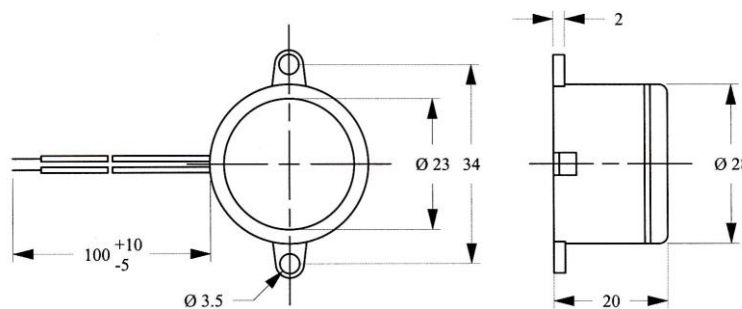
Specification :

TYPE	UNIT	AL-28SW09-DT
• Min. Sound Output at 30cm	dB	90
Rated Voltage	V _{DC}	9
Operating Voltage	V _{DC}	6~11
Resonant Frequency	Hz	2900±300
• Max. Current Consumption	mA	40
Tone		Single
Operating Temperature	°C	-20~+60
Storage Temperature	°C	-30~+70
Weight	g	10

• Value applying at rated voltage

Dimensions :

(Unit : mm)



Frequency Response :

