

**Signalgeber ohne Ansteuerung AL60P01** Art.-Nr.: 155105

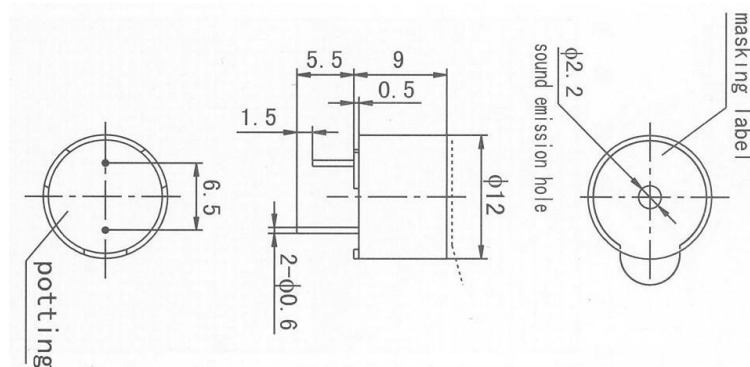
**Specification :**

TYPE	UNIT	AL-60P01
• Min. Sound Output at 10cm	dB	75
Rated Voltage	V	1.5
Operating Voltage	V	1~2
Resonant Frequency	Hz	2.400
• Max. Current Consumption	mA	70
Coil Resistance	$\Omega$	6.5±1
•• Coil Impedance	$\Omega$	16
Operating Temperature	°C	-25~+70
Storage Temperature	°C	-30~+80
Weight	g	2

- Value applying at (rated voltage, 2.400Hz, ½ duty square wave)
- Value applying at (2.400Hz, sine wave, measuring current 60μ A)

**Dimensions :**

(Unit : mm)



**Frequency response :**

