

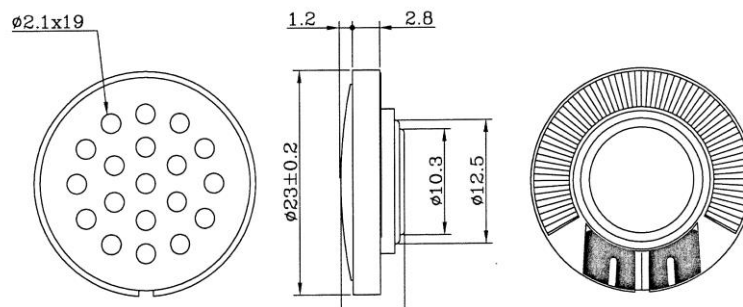
**Lautsprecher LSF-23M/N/G** Art.-Nr.: 107061

**Specification :**

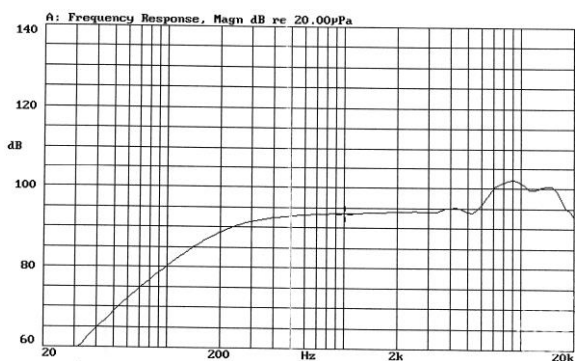
TYPE	UNIT	LSF-23M/N/G
Impedance	$\Omega$	32±15%
Power (Nominal)	W	0.03
Power (Maximum)	W	0.1
Resonant Frequency	Hz	200±20%
Sound Pressure Level	dB	93±3
Frequency Range	Hz	100~20.000
Operating Temperature	°C	-25~+50
Storage Temperature	°C	-25~+60

**Dimensions :**

(Unit : mm)



**Frequency Response :**



Version 1 / 10/2021