

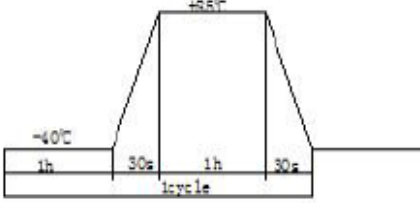
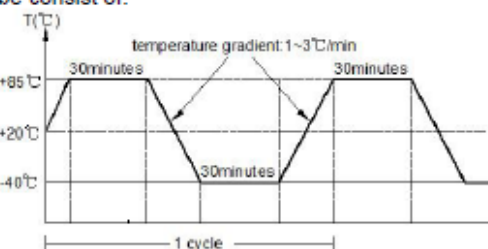
Lautsprecher LSF-S1511K Art.-Nr.: 106033

Specification :

Test condition: Temperature: 15~35°C Related Humidity:25~75% (GB/T9396-1996)

No.	Item	Specification	Condition
1	Dimension	15x11xH3.5mm	
2	Impedance	8 ± 20% Ω	At 2 kHz 1.0V
3	Resonant Frequency	650 ± 20% Hz	in free air
		950 ± 20% Hz	At 0.5W, 10cm, in 1cc box
4	Output Sound Pressure Level	87 ± 3dB	at 1KHz 2.0V 10cm
5	Frequency Range	300---10KHz	
6	Distortion	MAX.10%	At 2kHz (Mounted in 1cc measure box and in a baffle) Test at 2Vrms/10cm
7	Magnet	Nd	
8	Power Rating	Normal: 0.7Watts	in 1cc box
		Maximum: 1.0Watts	must be normal white noise for 1 minute
9	Operating temperature	- 30 ~ +70°C	
10	Storage temperature	- 40 ~ +85°C	
11	Abnormal Sound test	Must be Normal Tested By 2.0 Vrms	in 1cc box
12	Weight	1.5g	
13	RoHS	The Speaker is RoHS compliant.	

C.ENVIRONMENT TEST

No.	Item	Condition	Evaluation standard
1	High Temperature	After being placed in a chamber at +85 ± 2°C for 16 hours	
2	Low Temperature	After being placed in a chamber at -40 ± 2°C for 16 hours.	
3	Heat shock test	<p>The part shall be subjected to 5 cycles. One cycle shall be consist of:</p> 	<p>Being placed for 4 hours at room temperature, speaker shall be measured. SPL should not deviate by ±5dB, and resonant frequency should not deviate by ± 80 Hz, compare with pre-test measurement.</p>
4	Humidity test	After being placed in a chamber at 40 ± 2°C and 90-95% relative humidity for 16hours	
5	Temperature Cycle test	<p>The part shall be subjected to 5 cycles. One cycle shall be consist of:</p> 	

Version 1 / 10/2021

D. MECHANICAL CHARACTERISTICS

No.	Item	Test condition	Evaluation standard
1	Drop Test	Drop sample on 10mm thickness wood board Height :1m Cycle:6(1 each plain) onto concrete board	SPL shall not deviate by $\pm 5\text{dB}$ from pre-test measurement

E. RELIABILITY TEST

No.	Item	Test conditions	Evaluation standard
1	Load test	0.7W White noise(20~20kHz) applied for 96hours in 1cc box .	Speaker should not fail after apply 1K Hz White noise rated power input (RMS), 96 hours. After test, SPL shall not deviate by $\pm 5\text{dB}$ from pre-test measurement

F. MEASURING METHOD(SPEAKER MODE)

F-1. Test Condition

(a) STANDARD:

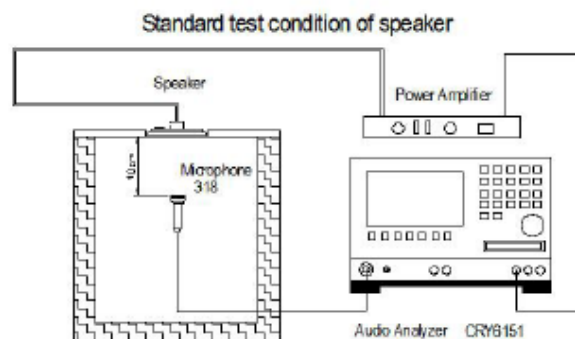
- Temperature : 17 ~ 25°C
- Relative humidity : 45% ~ 85%,
- Atmospheric pressure : 860mbar to 1060mbar

(b) JUDGEMENT:

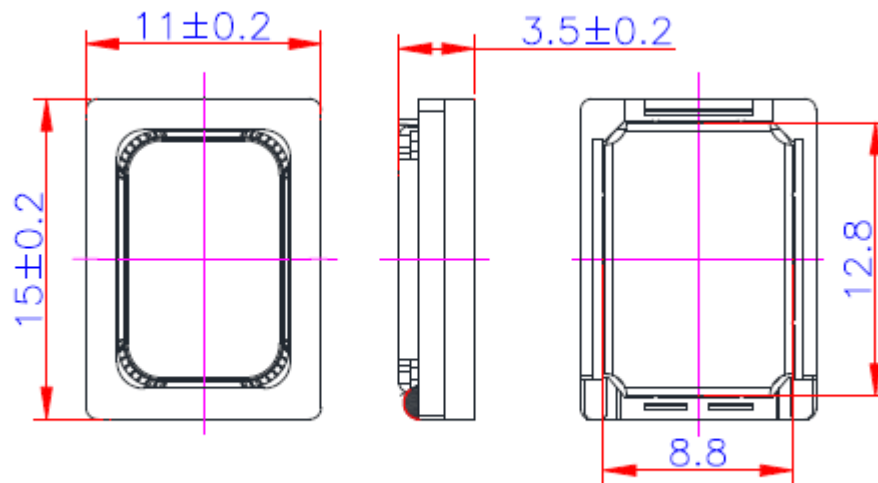
- Temperature : $20 \pm 2^\circ\text{C}$
- Relative humidity : 60% ~ 70%,

F-2. Standard Test Fixture

1. Input Power : 2V
2. Zero Level : -dB
3. Mode : TSR
4. potentiometer Range : 50dB
5. Sweep Time : 0.5sec



G.APPEARANCE DRAWING

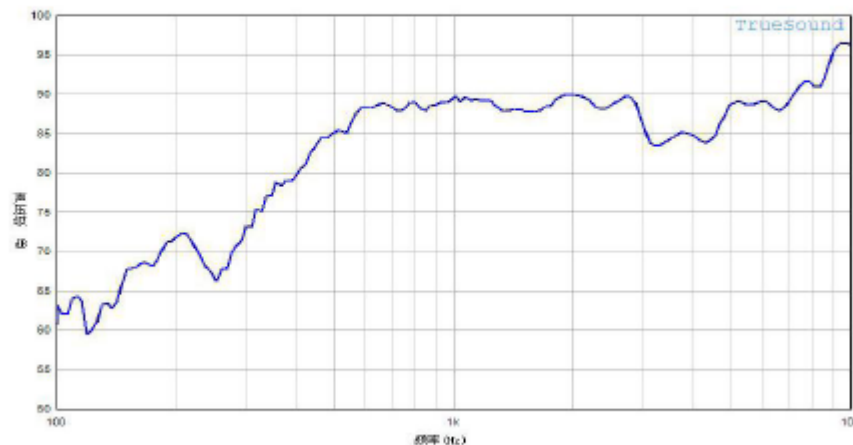


POLARITY: Right side is the "+",As show in the picture

Unit:mm Tolerance : ±0.5mm

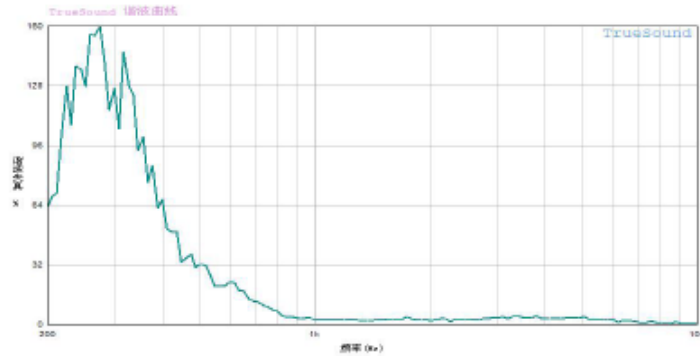
H.FREQUENCY CURVE

H-1. FREQUENCY CURVE

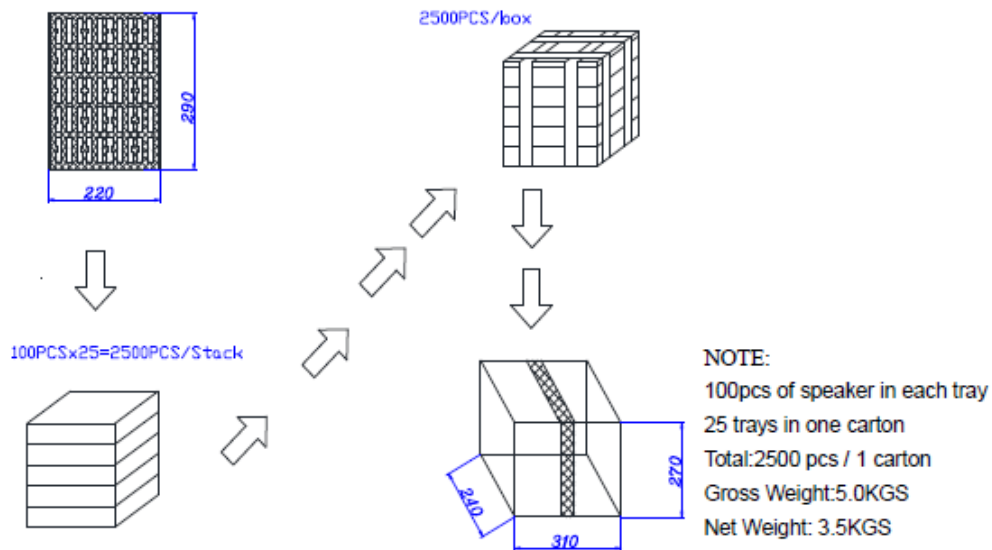


H-2.DISTORTION CURVE

Lautsprecher LSF-S1511K Art.-Nr.: 106033



I. PACKING STANDARD



J. NOTICE ON PRODUCT STORAGE

a. Please store the products in room where the temperature / humidity is stable. And avoid such places where there are large temperature changes. Please store the products under the following conditions :

Temperature : -10 to +40 (degree C)

Humidity : 15 to 85% R.H.

b. Expire date (Shelf life) of the products is 6 months after delivery under the conditions of a sealed and an

Lautsprecher LSF-S1511K Art.-Nr.: 106033

unopened package. Please use the products within 6 months after delivery. If you store the products for a long time (more than 6 months), use carefully because the products may be degraded in the solder-ability and/or rusty.

Please confirm solder-ability and characteristics for the products regularly.

C. Please use the products immediately after the package is opened, because the characteristics may be reduced in quality, and/or be degraded in the solder-ability due to storage under the poor condition.