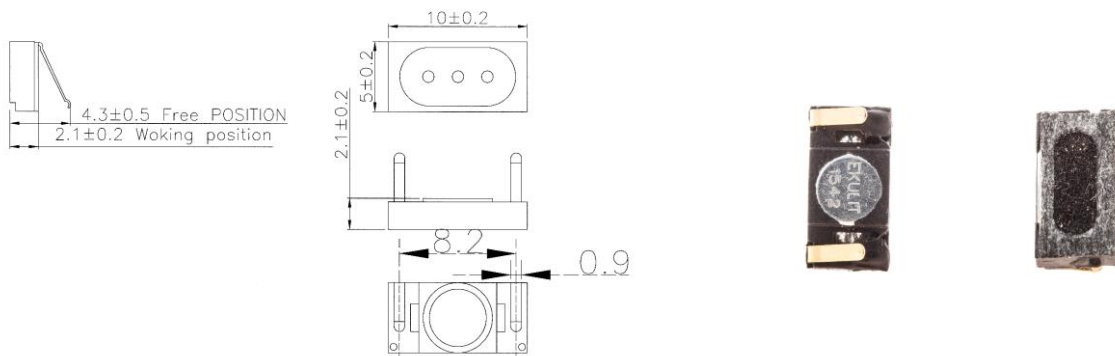


Lautsprecher LSF-R1005K Art.-Nr.: 106006

TYPE	UNIT	LSF-R1005K
Impedance	Ω	32±15%
Power (Nominal)	mW	10mW
Power (Maximum)	mW	15mW
Resonant Frequency	Hz	300±20%
Sensitivity	dB	110±3
Frequency Range	Hz	fo~4k
Operating Temperature	°C	-25~+60
Storage Temperature	°C	-30~+70
Weight	g	0.6

Dimensions :



Frequency Curve :

